



## FillTrac

### Package Inspection System

- Variable high speed operations (3000 cpm)
- Remote access for maintenance and set-up support
- Multiple ejector options
- Inspection options for cap presence, cap orientation, and label presence



### FillTrac Fill Level Inspection System

The FillTrac Fill Level Inspection System integrates Peco's 30 year experience in fill level inspection with the latest in technology to provide the best inspection available in a compact, easy to use, and environmentally sound, design.

#### Typical Applications

##### Confirmation of Contents

Confirmation of labeled contents in beverage containers including glass bottles, PET bottles, metal cans, and composite containers.

##### Verification of Head Space

Verification of minimum head space in food cans for thermal processing requirements.

##### Fill Level Evaluation

Monitor average fill levels for evaluation of filler performance.

##### Minimum Solid Contents

Assure minimum solids contents in multiple fill processed food applications.

##### Checking for Underfill and Overfill

Checking for underfill and/or overfill in all liquid packaging including personal care products, automotive additives, garden supplies and cleaning agents.

#### Supported Containers



Metal Cans



Glass Bottles



Metal Cans



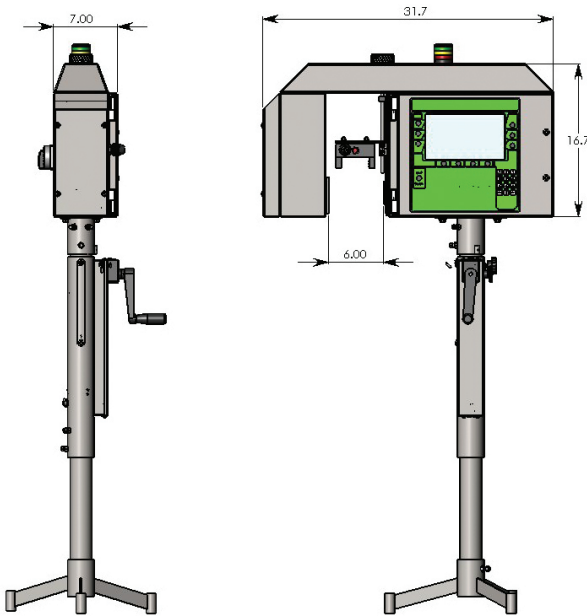
Simple Glass Jars  
(limited punt)



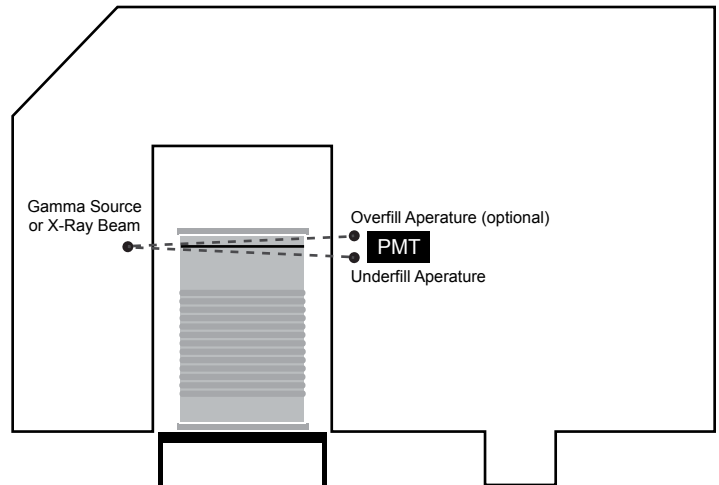
### Applications

- Assurance of labeled contents in beverage containers including glass bottles, PET bottles, metal cans and composite containers
- Verification of minimum head space
- Calculation of average fill levels for evaluation of filler performance
- Confirmation of minimum solids contents in multiple fill processed food applications
- Checking for underfill and/or overfill in all liquid packaging
- Inspection source: X-Ray of Americium

### Dimensions



### Inspection Configuration



### Specifications

Model	FillTrac G or X
Machine Architecture	Side view
Conveyor	Mounts over customer's existing conveyor. No transfer points, product contact
Environment	IP 65
Speed	Up to 3000 cpm
Voltage	115 VAC - 240 VAC, 50/60 Hz
Temperature	1°C – 40°C (up to 45°C with optional air conditioner)