



High-Profile



Low-Profile

Features and Benefits

Machine Features

- Heavy-duty, welded steel construction (no plastic panels) designed for long life
- Variable turntable speed using 1/2 hp, 90 Vdc motor with ANSI 50 chain drive system
- Up to 12 RPM rotating table can deliver 25–40 loads per hour
- Long-range photo eye for automatic load height sensing
- Top film overwrap control feature (TOC)
- Adjustable top and bottom illuminated LED wrap counters
- Magnetic proximity switches in place of mechanical limit switches
- Cycle pause feature
- Manual jog turntable control
- Eco-friendly, durable powder coating

Controls Hardware

- Allen-Bradley® power, control, and safety components
- Allen-Bradley® MicroLogix™ PLC
- UL/CSA approved components

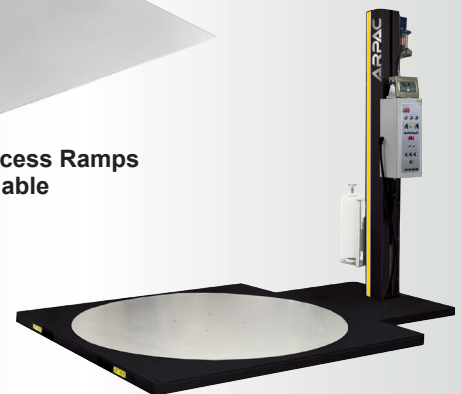


Film Delivery System

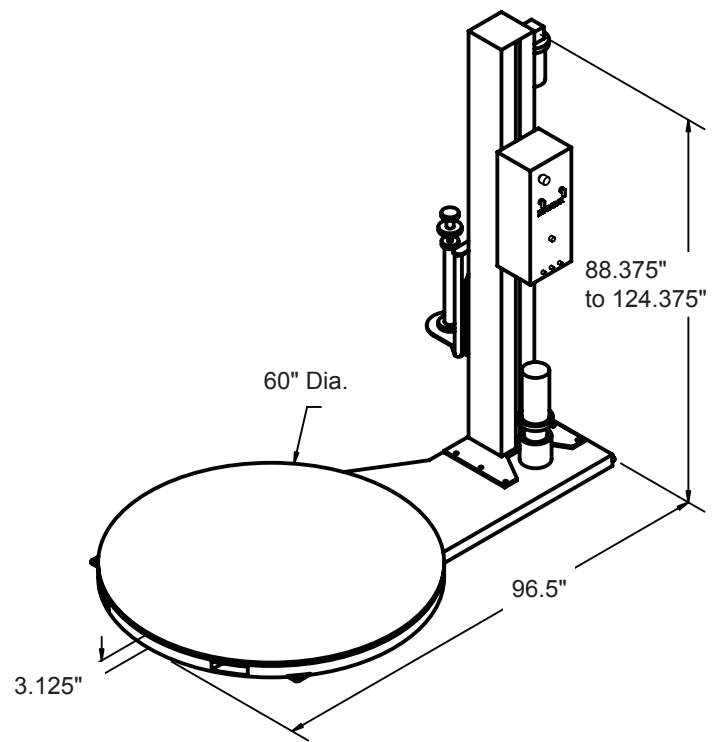
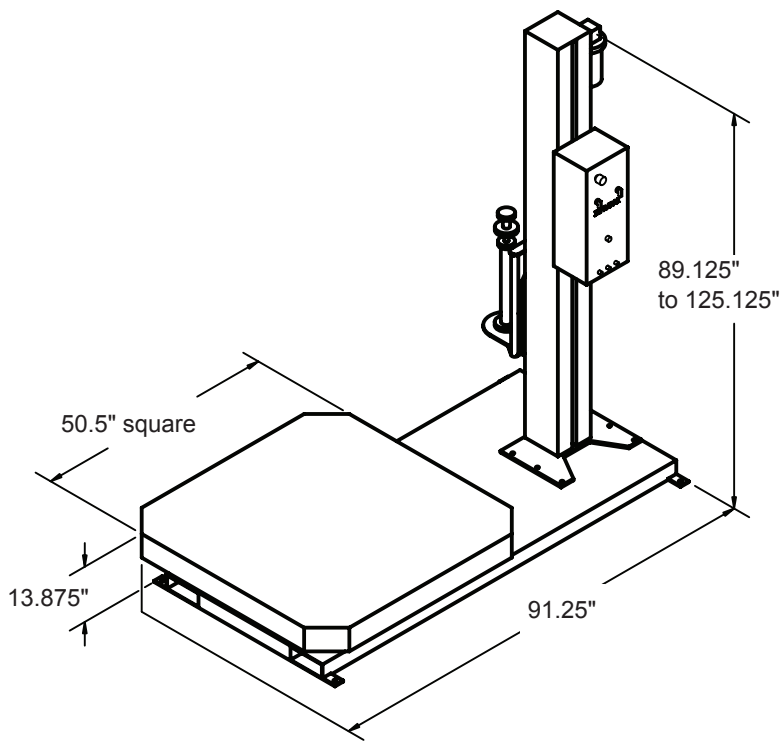
- Variable carriage speed up to 21 feet per minute
- 1/2 hp, 90 Vdc motor with ANSI 40 chain lift drive
- Adjustable core-brake tension



Variety of Access Ramps Available



Optional 72" Turntable



Specification	Measurement
Turntable size – low-profile	60" diameter (standard) 72" diameter (optional) (Larger sizes available)
Turntable size – high-profile	50" square (standard) 50" x 90" rectangular (option)
Max. load diagonal clearance	85" (standard turntable) 102" (optional turntable)
Max. load weight	4,000 lb. (standard)
Turntable rotation speed	Up to 12 RPM
Loads wrapped per hour	25 to 40
Max load height – low-profile: - Standard tower - Optional extensions available (12", 24", and 36")	81" max. load height 93", 105", and 117" options
Max load height – high-profile: - Standard tower - Optional extensions available (12", 24", and 36")	74" max load height 86", 98", and 110" options
Electrical power requirements	120 VAC, 1 Ph, 60 Hz, 10 A
Standard shipping weight	Low-profile 1,525 lb. High-profile 1,260 lb.

Options

- Extended film tower for wrapping taller loads exceeding standard machine capability
- A variety of access ramps to assist loading of pallet
- Split frame construction to increase film tower clearance for oversized loads
- Cycle counter to count the actual cycles of machine operation
- Extended umbilical cords for split frame models
- Integrated scale and printer available



"Quick Change" Film Mandrel